

Model: Steelworx Hip Shelter, 25' x 40'
Model # HP-2540-SW

Manufacturing Mission: To provide all prefabricated components and installation instructions for a 25' wide (measured from eave to eave) by 40' long free standing bolt together, tubular steel constructed shelter kit.

Design Criteria: Structure is typically designed for a 30 lb live load and a 90 mph wind load capacity. All structural members are ASTM A-500 U.S. grade B steel. Welded connection plates shall be ASTM A-36 hot rolled steel. All welding performed to latest AWS standards by ASTM Certified welders and provided in accordance to same.

Tubular Steel Columns and Beams: Standard column dimensions shall be 5" x 5" x 3/16" tubular steel welded to 5/8" base plate (footing design provided separately). Interior support beams are between 5" x 7" x 3/16" and 5" x 5" x 3/16". Economy Version (EV) of this shelter model for residential or less stringent design locations are available with smaller more economical member sizes.

Roofing: Standard pitch is 4:12. Rollformed metal roof decking is Kynar finished, 20 year warranted, ribbed steel attached to structural framing with engineered strength self tapping screws. Standing Seam and/or Multi Rib profiles available.

Frame Finish: Contaminates and oils are eliminated with welded raw steel being sand blasted to a white condition. Corrosion protective Polyester Powder coating electro-statically applied and cured to 450 degrees in our state of the art cure oven polyester power coating process. E-coat primer is also available at an additional charge.

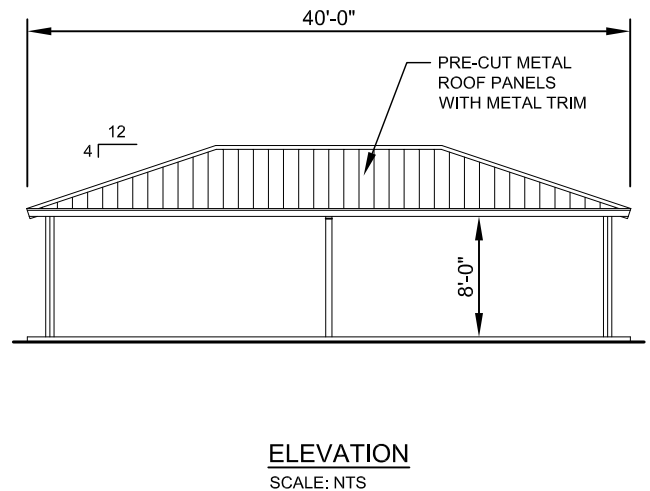
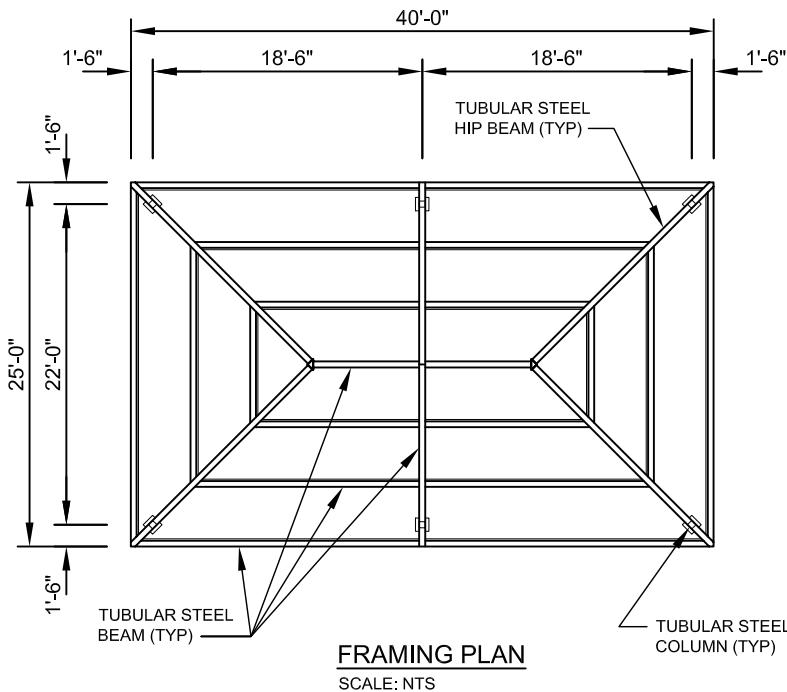
Hardware: All structural hardware provided and to be A-325 or B7 as required.

Shop Drawing: The fabricator shall furnish a complete set of installation drawings.

Not Included: Concrete work of any kind, unloading of product and installation.

Additional Options:

- Flexibility of Design
Such as: Height and Pitch
- Additional Engineering
- Variety of Colors
- Decorative Railings, Lattice, Braces, Trim, etc.
- Cupolas and Rooftop Accs.
- Column Surrounds and Design Changes
- Lexan Wind Screens
- Standing Seam Roofing
- Composite Finished Ceiling
- Solar Lighting



11800 East 9 Mile Road
 Warren, MI 48089
 Office: (586) 759-5490
 Fax: (586) 754-9130
 Toll Free: (800) 657-6118
 Email: info@coverworx.net
 www.CoverWorx.net

Steelworx Hip Shelter - 25' x 40'

Model: HP-2540-SW

DESIGN SPECIFICATIONS